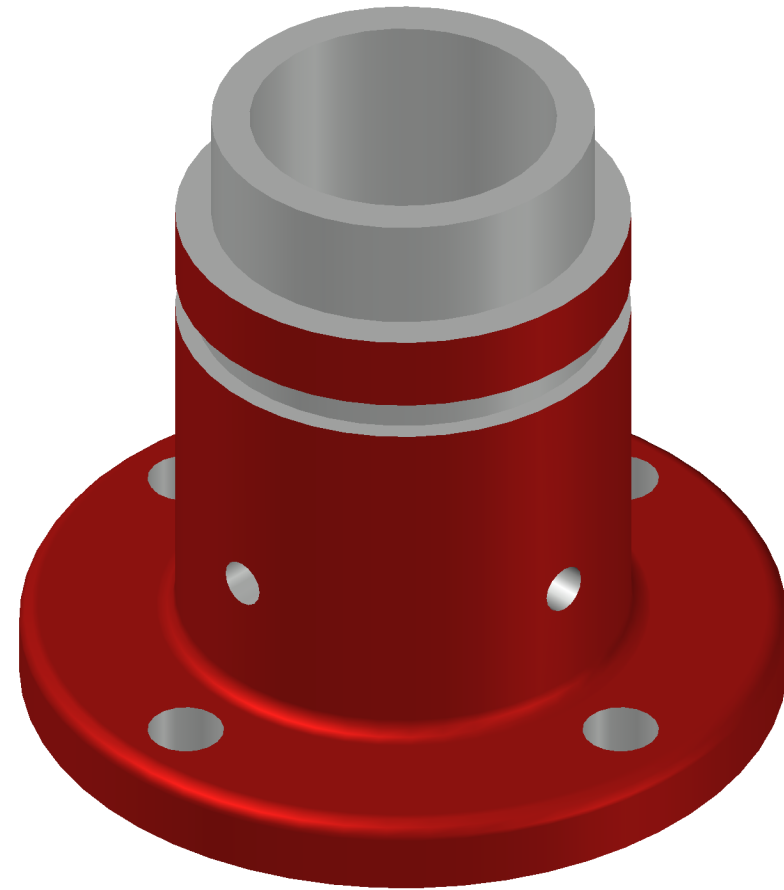
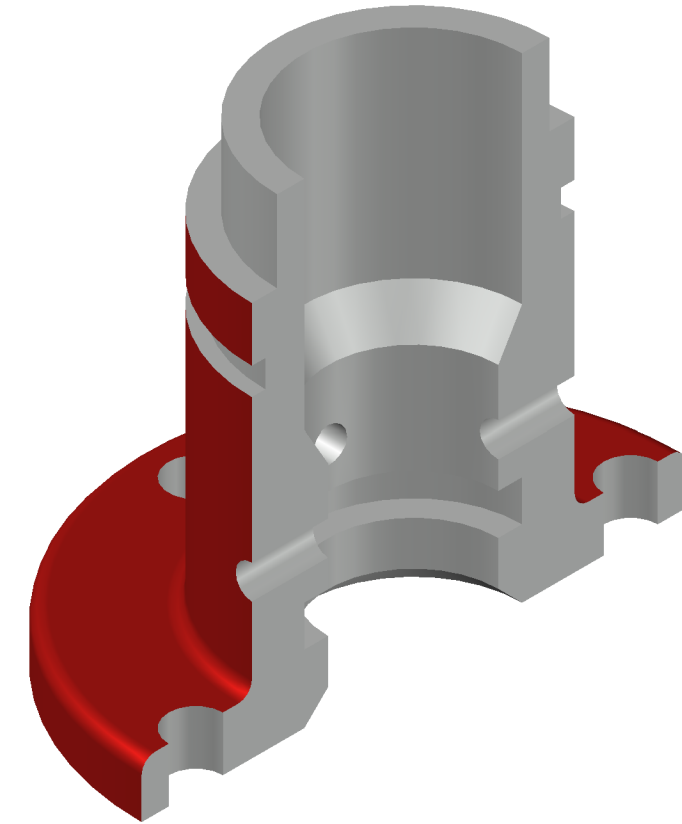


PARTS LIST

ITEM	QTY.	PART NAME	MATERIAL
1	1	CONNECTOR	SAE 1110



CONNECTOR FULL VIEW



CONNECTOR SECTION VIEW

GENERAL NOTES:

FILLETS AND ROUNDS R .0625 UNLESS OTHERWISE NOTED
 CHAMFERS .175 X 45° UNLESS OTHERWISE NOTED

LEGEND:

∅ DIAMETER
 R RADIUS
 ° DEGREES



DIGITAL DESIGN
 GRAPHICS
 TECHNOLOGY

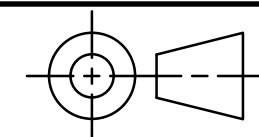
WWW.DDGT.NET



Ebeling Engineering

Drafter
 707-333-7096
 n.b.ebeling@gmail.com

www.ddgt.net/StudentPages/nebeling



TOLERANCES UNLESS SPECIFIED:
 DECIMAL INCHES:
 X = ±.020
 XX = ±.010
 XXX = ±.005
 FRACTIONAL ±1/64"
 ANGLES ±1 DEGREE
 SURFACES 32/

COURSE: DDGT121

AUTOCAD DRAWING NAME:
 CONNECTOR

FIG #: 13-48

DRAFTER: N. EBELING

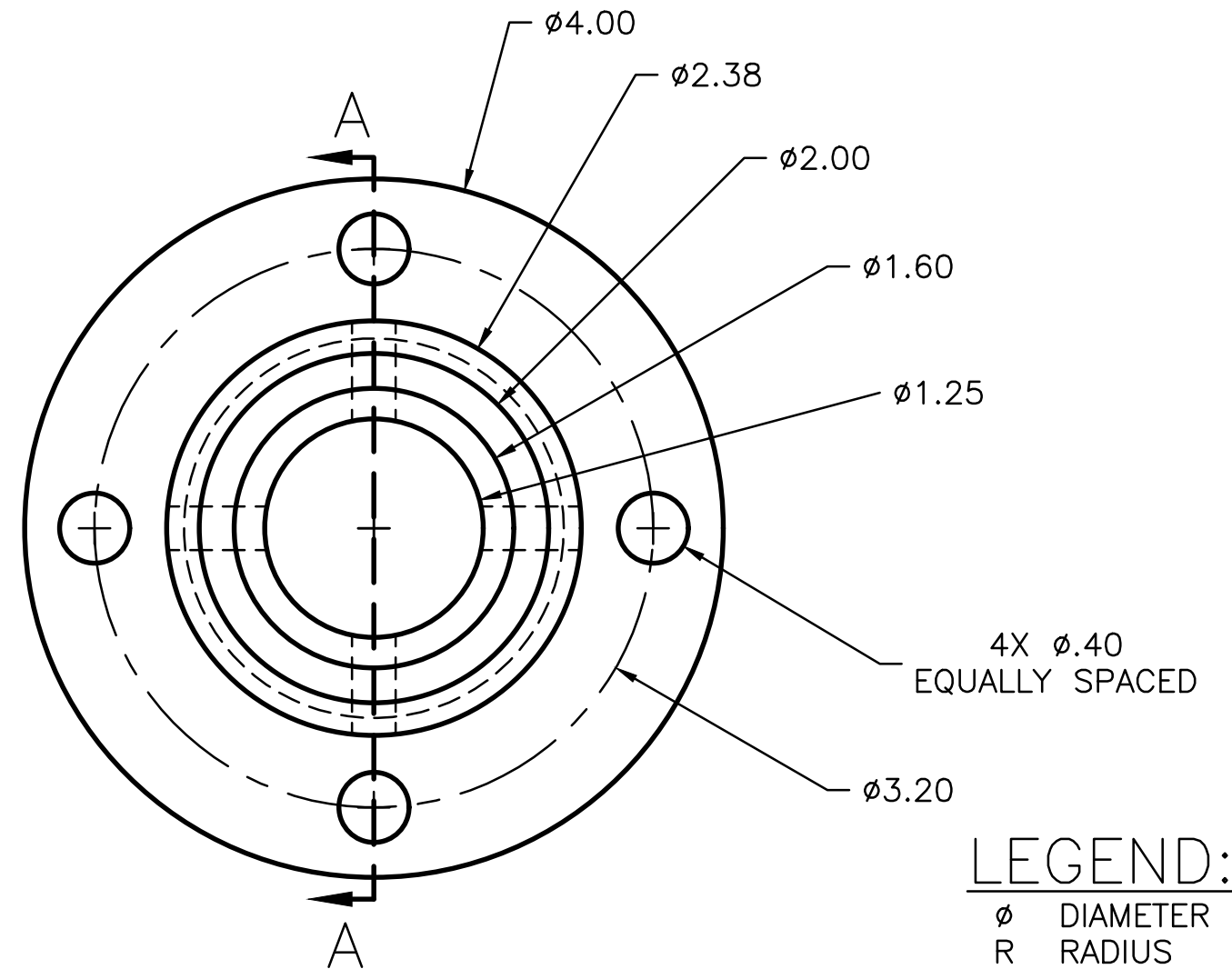
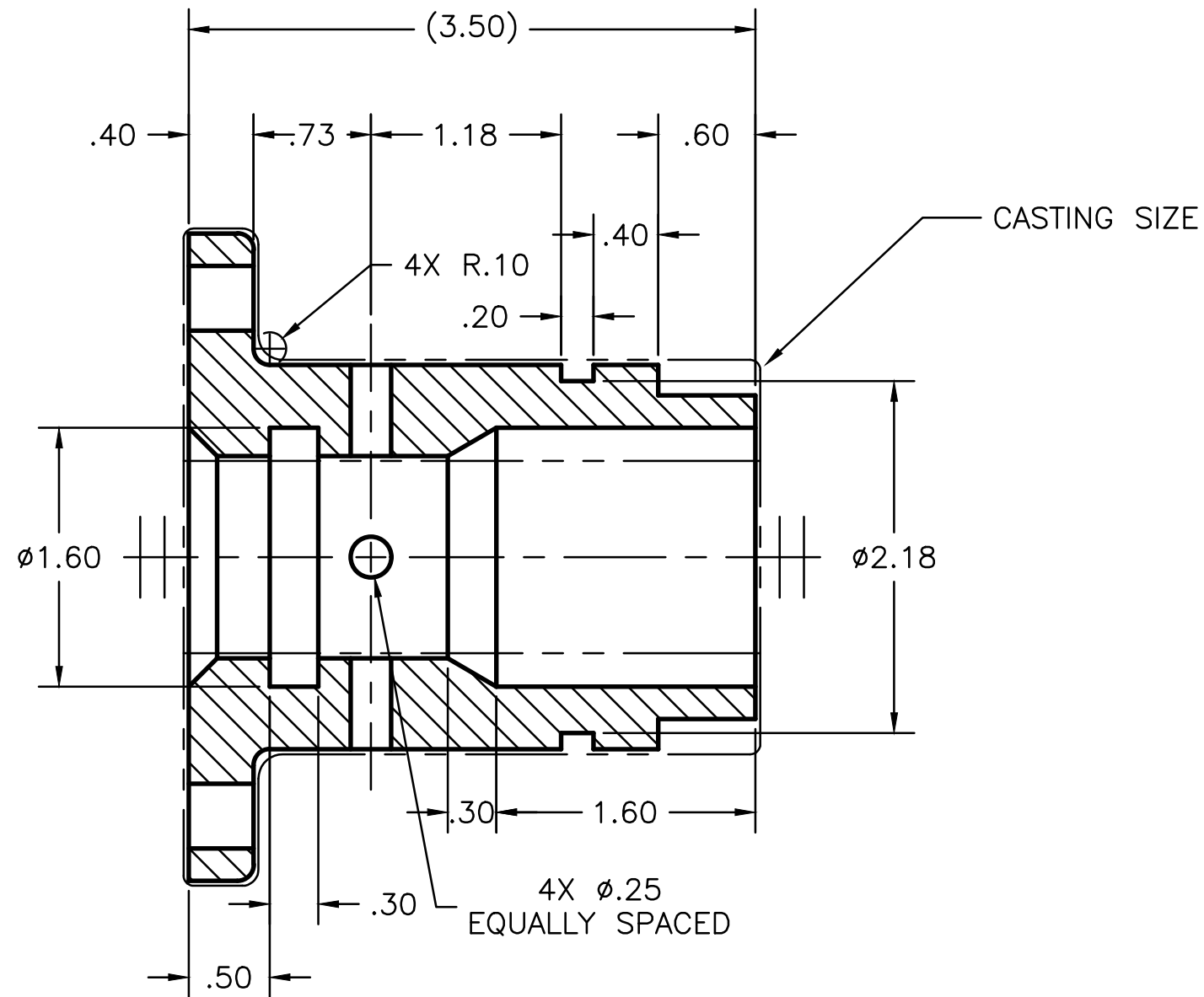
DATE: 4-26-20

SCALE: 1:1

PAGE #: 1 OF 3

PARTS LIST

ITEM	QTY.	PART NAME
1	1	CONNECTOR

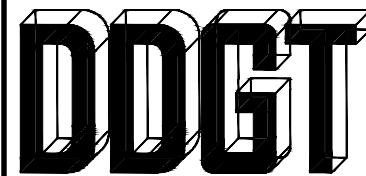


LEGEND:

- ϕ DIAMETER
- R RADIUS
- ° DEGREES

GENERAL NOTES:

FILLETS AND ROUNDS R .0625 UNLESS OTHERWISE NOTED
 CHAMFERS .175 X 45° UNLESS OTHERWISE NOTED



DIGITAL DESIGN
 GRAPHICS
 TECHNOLOGY

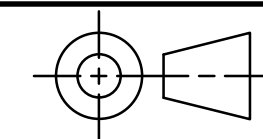
WWW.DDGT.NET



Ebeling Engineering

Drafter
 707-333-7096
 n.b.ebeling@gmail.com

www.ddgt.net/StudentPages/nebeling

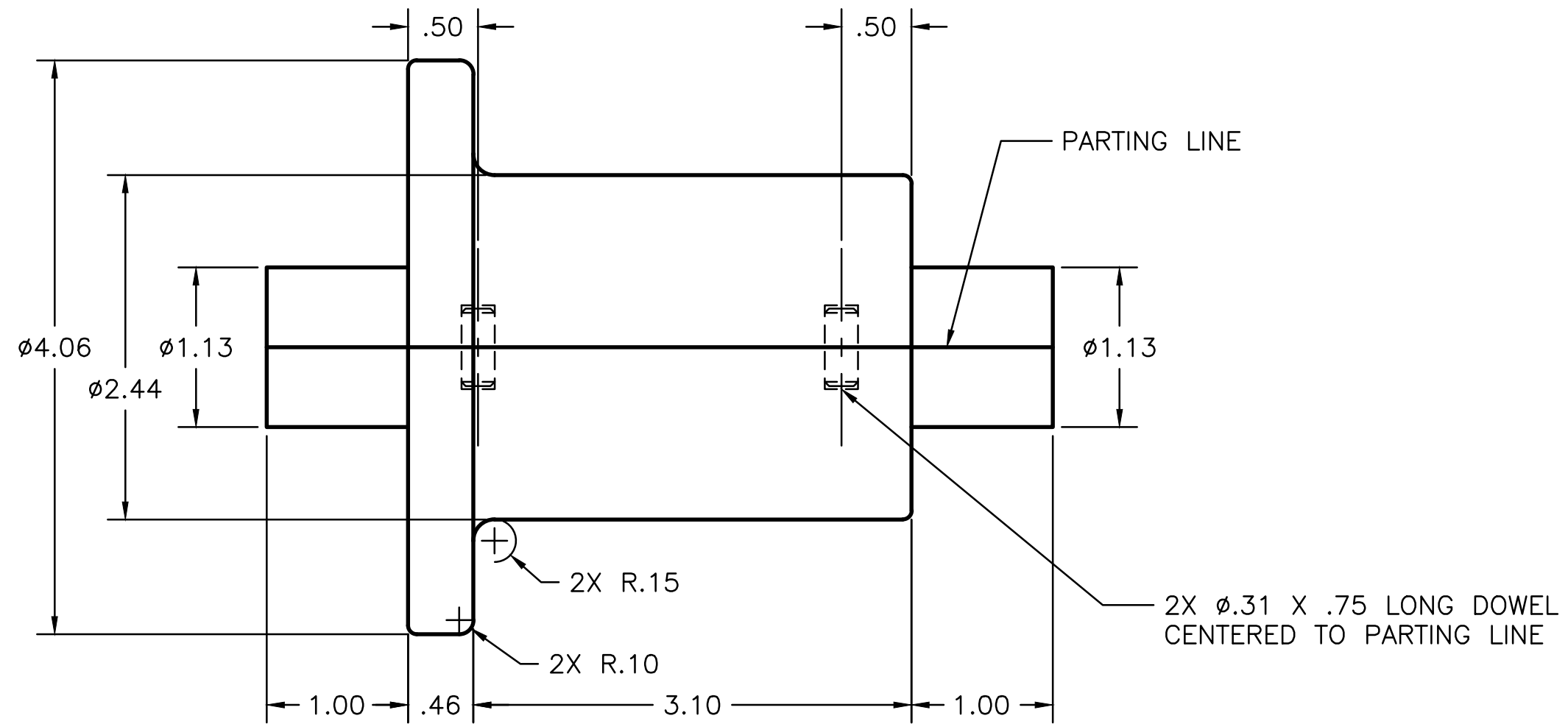


TOLERANCES UNLESS SPECIFIED:
 DECIMAL INCHES:
 X = ±.020
 XX = ±.010
 XXX = ±.005
 FRACTIONAL ±1/64"
 ANGLES ±1 DEGREE
 SURFACES 32/

COURSE:	DDGT121
AUTOCAD DRAWING NAME:	CONNECTOR
FIG #:	13-48
DRAFTER:	N. EBELING
DATE:	4-26-20
SCALE:	1:1
PAGE #:	2 OF 3

PARTS LIST

ITEM	QTY.	PART NAME
1	1	CONNECTOR



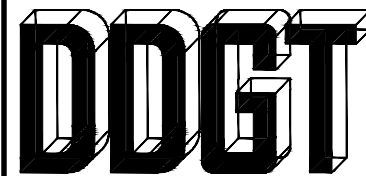
PATTERN DRAWING FOR CAST PART

LEGEND:

- Ø DIAMETER
- R RADIUS
- ° DEGREES

GENERAL NOTES:

FILLETS AND ROUNDS R .0625 UNLESS OTHERWISE NOTED
 CHAMFERS .175 X 45° UNLESS OTHERWISE NOTED



DIGITAL DESIGN
 GRAPHICS
 TECHNOLOGY

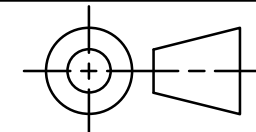
WWW.DDGT.NET



Ebeling Engineering

Drafter
 707-333-7096
 n.b.ebeling@gmail.com

www.ddgt.net/StudentPages/nebeling



TOLERANCES UNLESS SPECIFIED:
 DECIMAL INCHES:
 X = ±.020
 XX = ±.010
 XXX = ±.005
 FRACTIONAL ±1/64"
 ANGLES ±1 DEGREE
 SURFACES 32/

COURSE: DDGT121

AUTOCAD DRAWING NAME:
 CONNECTOR

FIG #: 13-48

DRAFTER: N. EBELING

DATE: 4-26-20

SCALE: 1:1

PAGE #: 3 OF 3